



GSL30

GSL60

SILICONE LED STRIPS



Before use, read this booklet carefully to acquaint yourself with the features of the product. This booklet is an integral part of the product and therefore must be kept until the product is dismissed.



Giovenzana International B.V. reserves the right to change the features and data shown in this document at any time and without notice. This document cannot therefore be considered a contract with third parties.



The silicone LED strips are designed and manufactured according to IEC international standard and EN European regulations.



Improper installation or tampering can cause serious damage to people and property, therefore installation and maintenance must be carried out by specialized and authorized personnel.



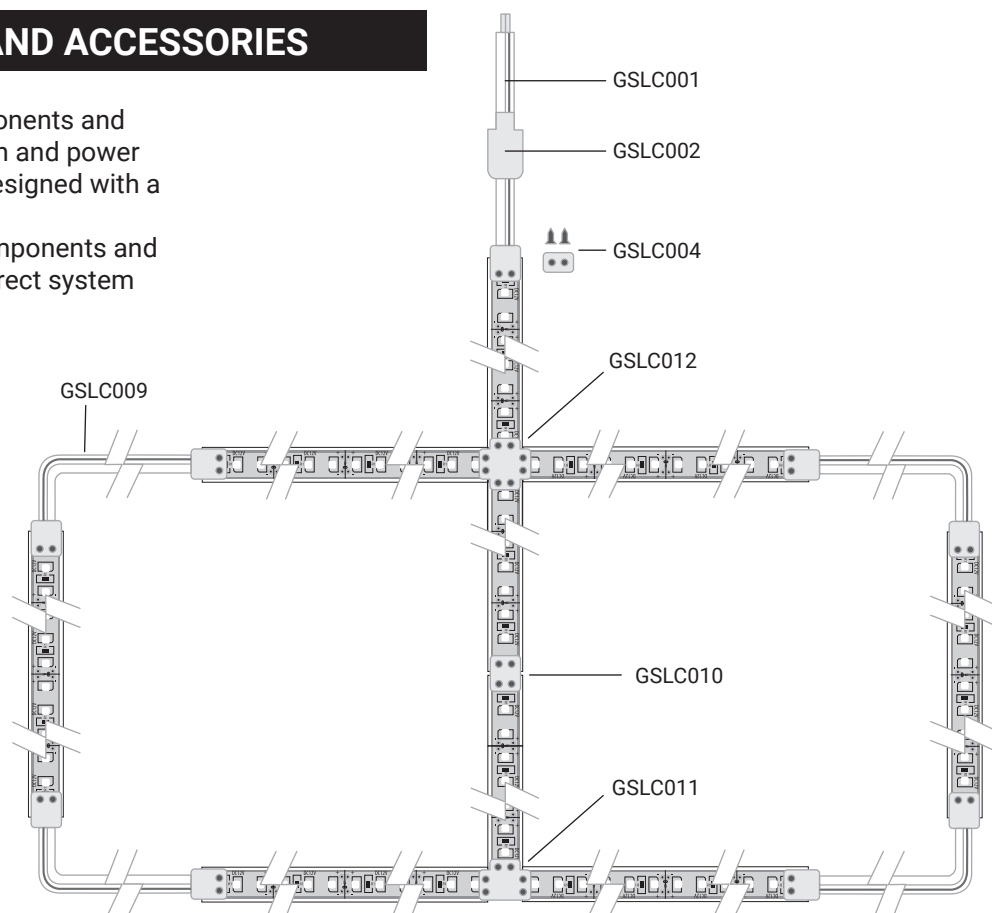
The device is not intended for use in environments with a potentially explosive atmosphere or in the presence of corrosive substances and in salt fog.

CONNECTIONS AND ACCESSORIES	2
GSLC001 - Cable-profiled	2
GSLC002 - Profiled silicone end cap for power	2
GSLC003 - Profiled silicone end cap terminations.	2
GSLC004 - Profiled screw set	2
GSLC005 - LED strip tensioners (2 pieces)	2
GSLC006 - Wall plugs	3
GSLC007 - LED sealant	3
GSLC008 - Profiled connection set	3
GSLC009 - Profiled - profiled.	3
GSLC010 - Profiled bridge connector	3
GSLC011 - Profiled T connector	3
GSLC012 - Profiled cross connector	3
INSTALLATION	4
General considerations	4
Operazioni preliminari	4
Strips connection	4
Power connections	4
Mounting using Giovenzana tensioner	5
Top fixture	5
Bottom fixture	6
FIXING THE WALL PLUGS	8
TECHNICAL CARACTERISTICS	9
Flexible strips GL30 and GL60	9
Cables GSLC001 and GSLC009	10
Connectors GSLC0010, GSLC011 and GSLC012	11

CONNECTIONS AND ACCESSORIES

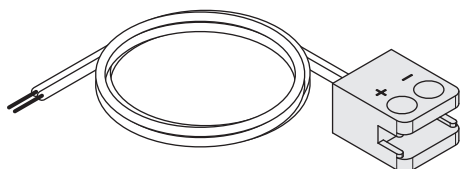
Giovenzana provides all the components and accessories needed for installation and power connection. The connectors are designed with a patented profiled technology.

We recommend the use of our components and accessories in order to ensure correct system performance.



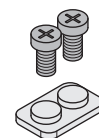
GSLC001 - Cable-profiled

- Connect power line cable to LED strips.
- To be connected to the shaft light.



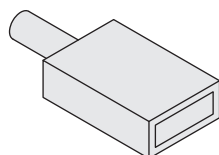
GSLC004 - Profiled screw set

- LED strip mechanical and electrical connection with caps to cover screws and LED sealant.



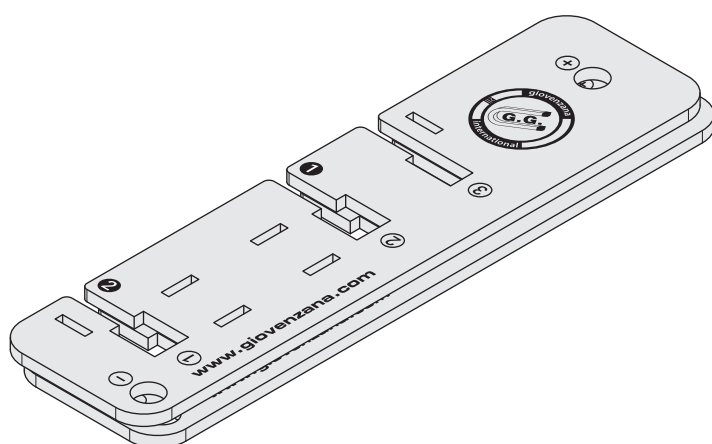
GSLC002 - Profiled silicone end cap for power

- Insulates the input power cable.



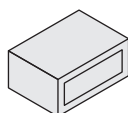
GSLC005 - LED strip tensioners (2 pieces)

- Part that tensions the LED strip.



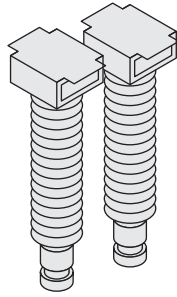
GSLC003 - Profiled silicone end cap terminations

- Insulates the LED strip termination.



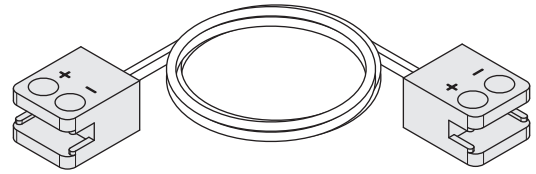
GSLC006 - Wall plugs

- For LED strip mounting.
- Distance between plugs: 1.5 m for vertical installation, 0.5 m for horizontal installation.
- On request.



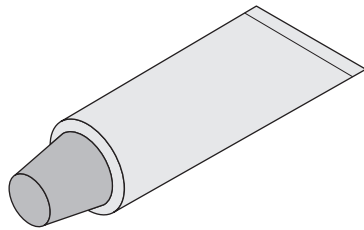
GSLC009 - Profiled - profiled

- Connects two LED strips at a flexible angle.



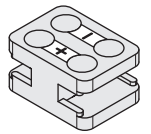
GSLC007 - LED sealant

- Sealant that provide the proper insulation.
- On request.

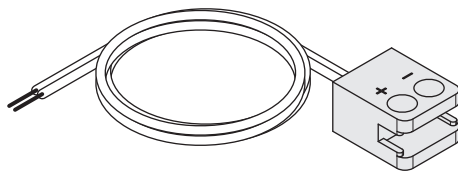


GSLC010 - Profiled bridge connector

- Connects two LED strips in a straight line.



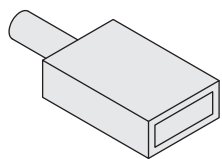
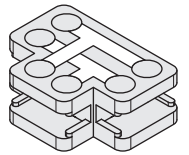
GSLC008 - Profiled connection set



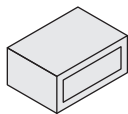
GSLC001
Cable-profiled

GSLC011 - Profiled T connector

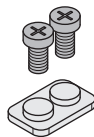
- Connects three LED strips.



GSLC002
Profiled
silicone end
cap for power



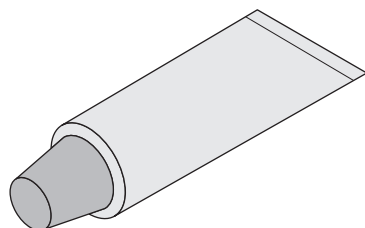
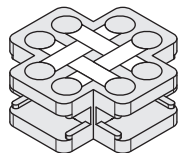
GSLC003
Profiled
silicone
end cap
terminations



GSLC004
Profiled screw
set

GSLC012 - Profiled cross connector

- Connects four LED strips.



GSLC007
LED sealant

INSTALLATION

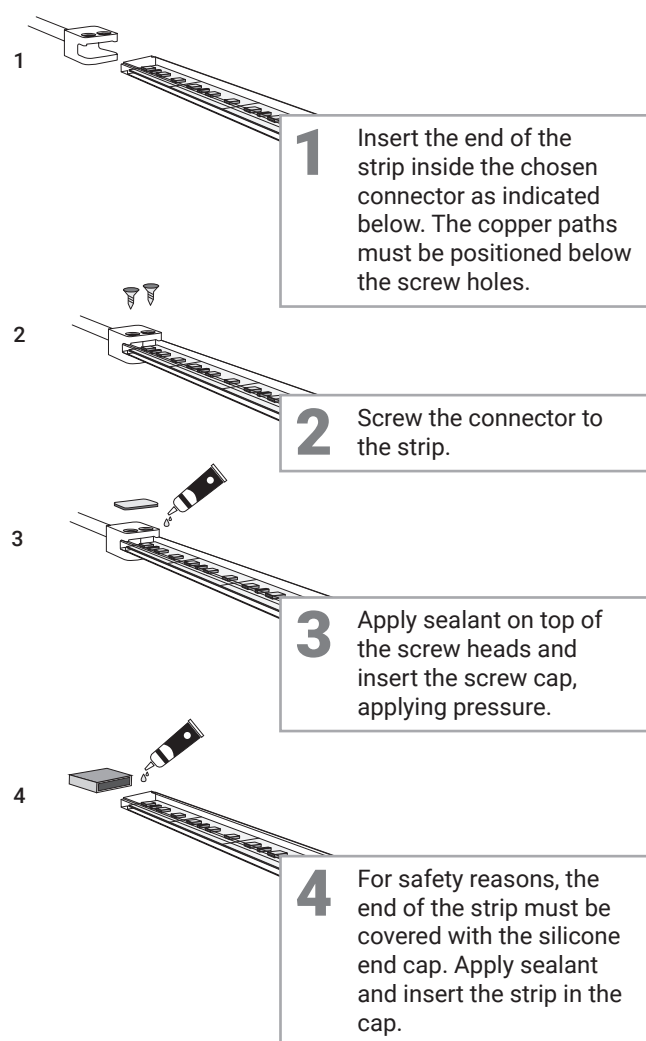
General considerations

- DO NOT MODIFY, deform or cut the strips or any of the components provided by Giovenzana. Giovenzana AC strips are designed to work directly plugged into an AC source. No power supply unit is needed. To avoid any malfunctions of the system, and to protect against electrical shock, fire, or physical injury, please observe the following: This system has been designed to work at 240VAC. Connection to a line voltage other than that may create a safety and fire hazard and may damage the system. If you are unsure of the type of power supply, consult your local power company or a qualified service technician.
- TO AVOID ELECTRICAL SHOCK and/or damage to the system, do not handle the components with wet hands. Always make sure the LED Cable strip is disconnected from the power source before cutting, connecting, mounting, or modifying in any way.
- DO NOT OPERATE with the LED strip tightly coiled. Do not puncture, cut, shorten, or splice the LED cable strip (except where marked). For outdoor use, make sure that all connections and the end cap in the last segment are tightly secured to preclude the entry of water.
- DO NOT LOOK directly into the LEDs when lit. They are powerful and could damage your vision.
- ONLY AUTHORIZED PERSONNEL must handle and install the strips. Follow national electric codes and regulations during installation.

Preliminary operations

- Measure the installation and mark the anchor points. We recommend 1.5 metres between anchor points for vertical sections and 0.5 metres for horizontal sections.
- The area must be free of dust and dirt for adequate adhesion. Clean only with a dry or slightly damp cloth. DO NOT use any acid or alkaline liquids, cleaning agents, or solvents.
- Select all the accessories and components needed to complete the installation.
- Cut the strips using a sharp tool only on the areas indicated.

Strips connection

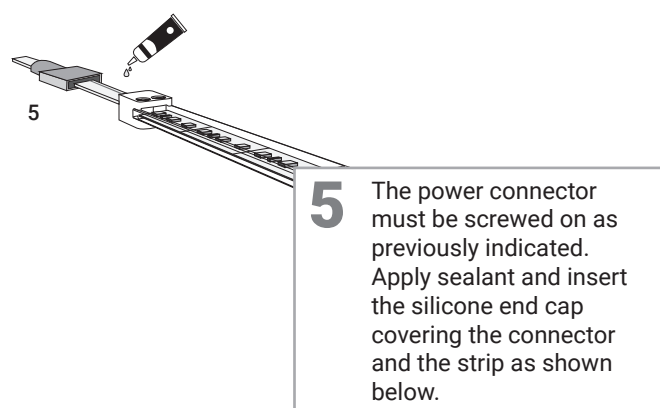


Power connections



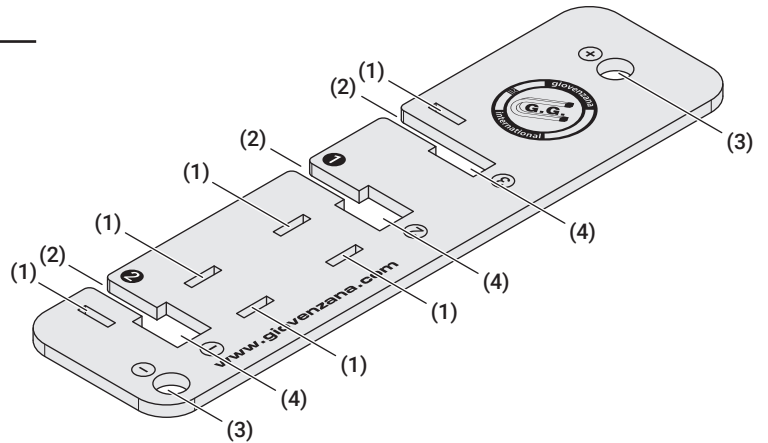
ATTENTION

For safety reasons, switch off mains power before connecting the strip to the power source.



Mounting using Giovenzana tensioner

- (1) Locking cable tie hole
- (2) Strip insertion area
- (3) Hole for screw (\varnothing 6 mm)
- (4) Strip final position



Top fixture

- 1** Pass the strip through the insertion areas until the final position is reached as indicated in the drawings on the right.. First 1 and then 2.



ATTENTION
Use the area of the strip without LEDs to fix the strip in the tensioner.

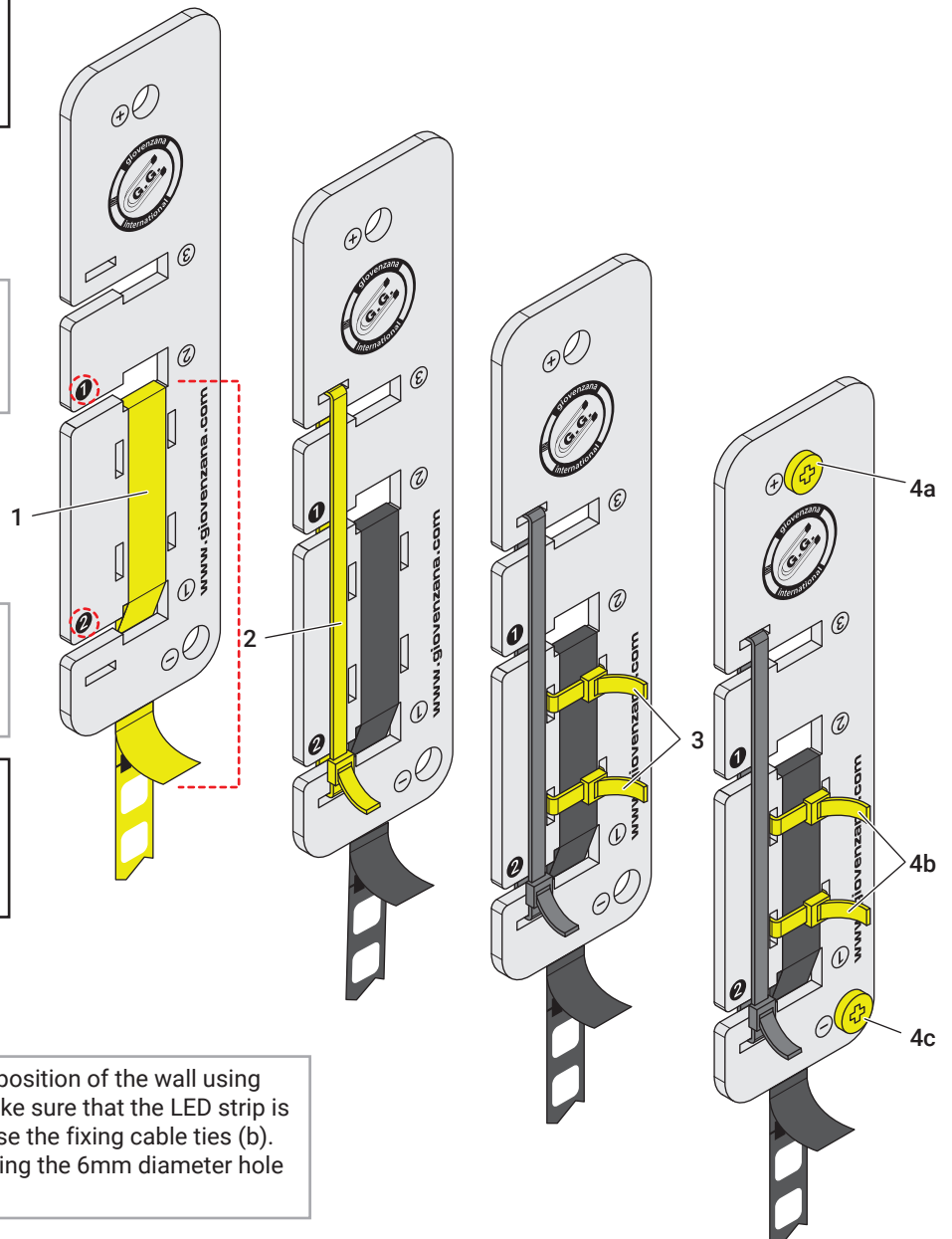
- 2** Insert and tighten the locking cable tie. This cable tie will assure the correct position of the strip.

- 3** Insert the fixing cable ties wrapping the strip against the tensioner. Do not tighten the cable ties yet.



ATTENTION
Make sure that the length of the remaining strip is enough to lighten the additional areas as needed.

- 4** Screw the tensioner on the desire position of the wall using the 6mm diameter hole (+) (a). Make sure that the LED strip is in the right position and tightly close the fixing cable ties (b). Screw the tensioner on the wall using the 6mm diameter hole (-) (c).



Bottom fixture

5 Arrange a rope by connecting it to the hole with a diameter of 6 mm (+) in the lower tensor. This cord must be at least the same length as the height of the elevator shaft.

6 Below the already mounted top tensioner, put the strip through the down tensioner as shown in the picture.

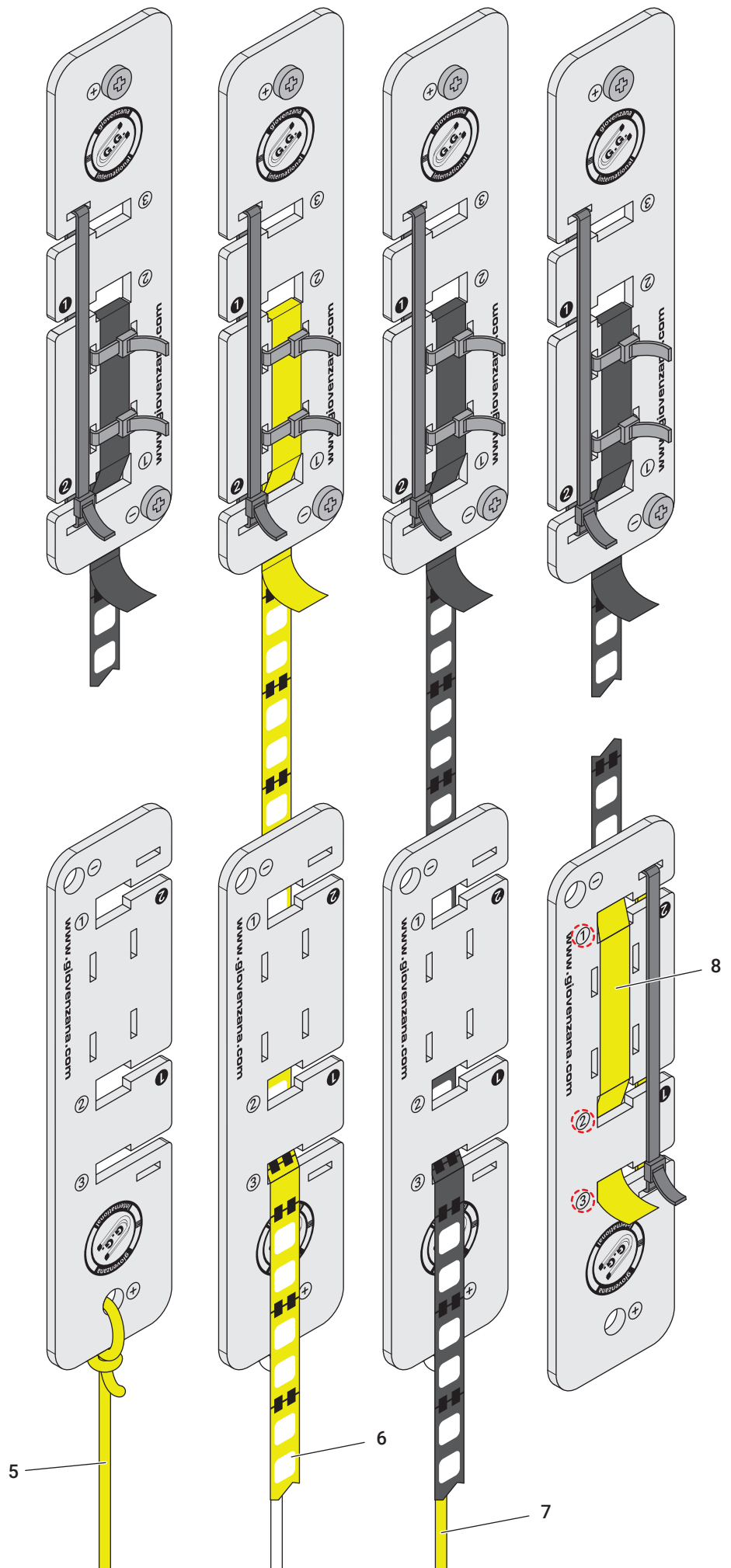


ATTENTION

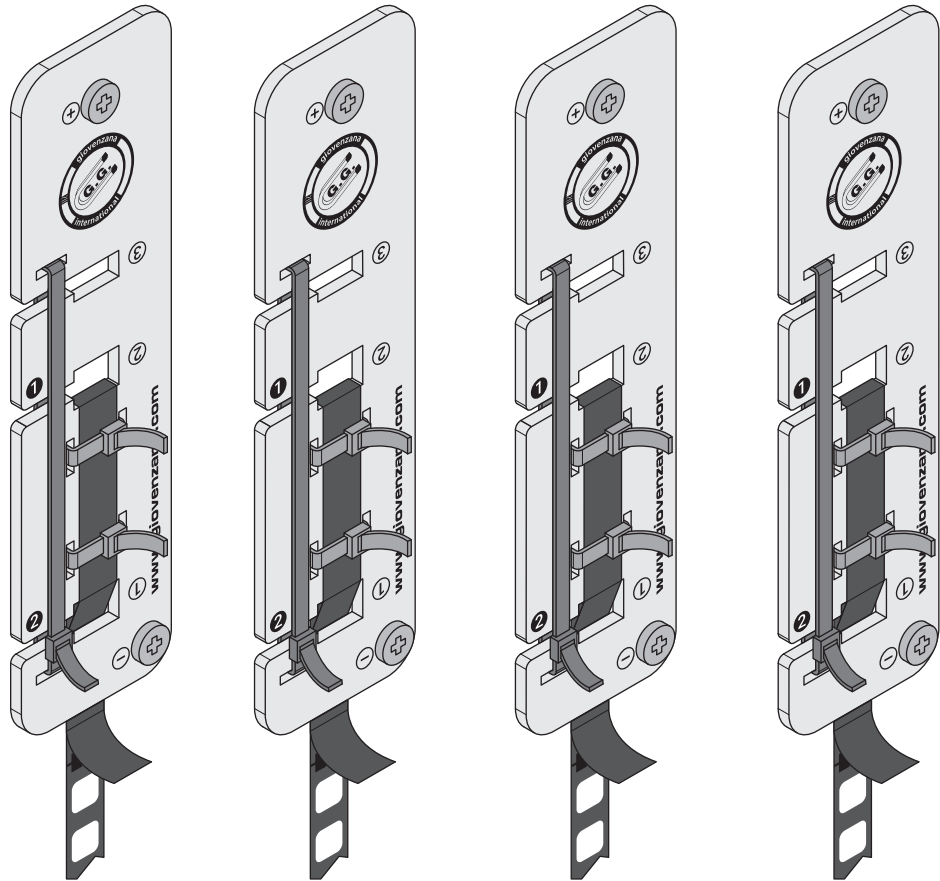
In cases where any additional areas need to be lit, use wall plugs and cable ties to fix the strip (distance between wall plugs 0.5m for horizontal sections and 1.5m for vertical sections). See section "FIXING THE WALL PLUGS".

7 From the bottom of the shaft, pull the cord down together with the down tensioner in order to place the strip in the correct position. Once the down tensioner is in the desired position, remove the cord and proceed to mount it as follows.

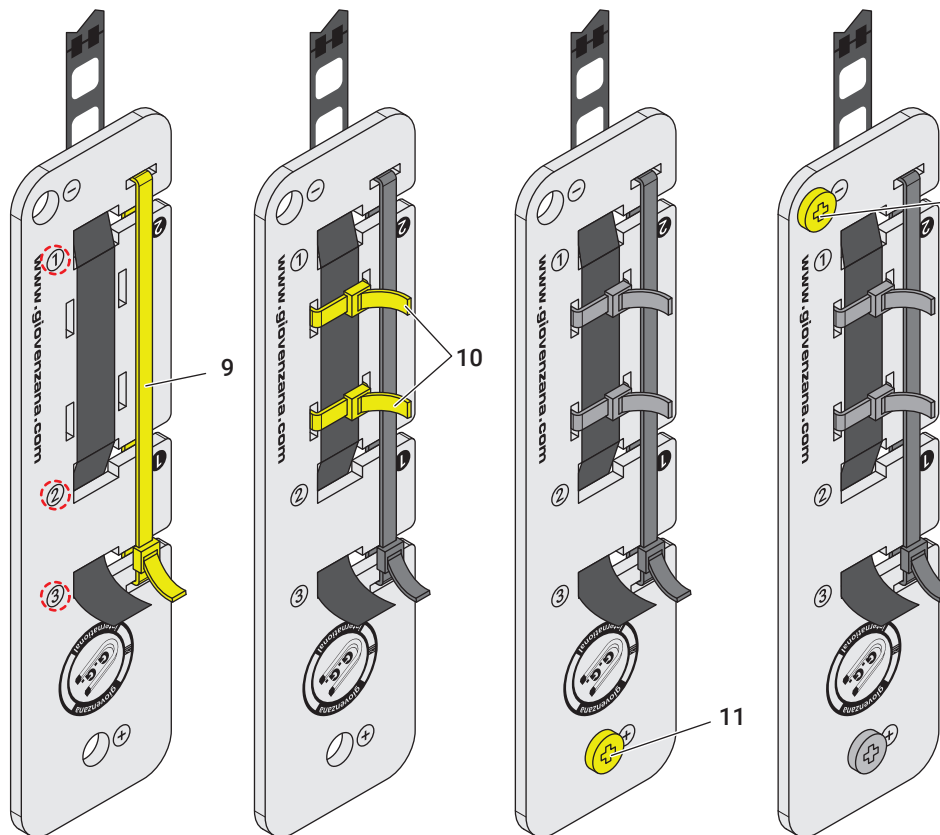
8 Pass the strip through the insertion areas until the final position is reached as indicated in the drawings on the right (first 1 then 2 and finally 3).



9 Insert and tighten the locking cable tie. This cable tie will ensure the correct position of the strip.



10 Insert the fixing cable ties wrapping the strip against the tensioner. Do not tighten the cable ties yet.



11 Screw the tensioner on the wall at the desired position using the 6mm diameter hole (+).

ATTENTION Make sure that the LED strip is in the right position and tightly close the fixing cable ties.

12 Screw the tensioner on the wall using the 6mm diameter hole (-).

ATTENTION Make sure that the cable ties are properly tightened and the length of the remaining strip is enough to lighten the additional areas. In cases where any additional areas need to be lit, use wall plugs and cable ties to fix the strip (distance between wall plugs 0.5m for horizontal sections and 1.5m for vertical sections).

FIXING THE WALL PLUGS

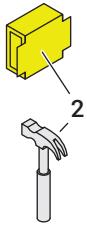
1 Drill a 9 mm hole into the wall to which the LED strip is to be attached.



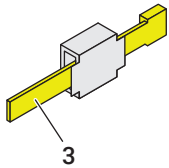
ATTENTION

Make sure that the distance between plugs is 1.5m for vertical sections (a) and 0.5m for horizontal sections (b).

2 Force the plug into the hole with the help of a suitable hammer.



3 Place a cable tie in the wall plug head.

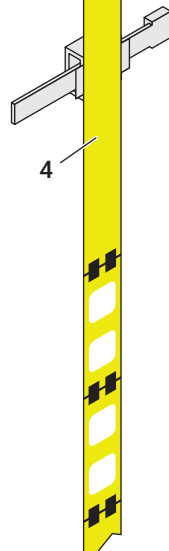


4 Position the LED strip centering it on the head of the plug.

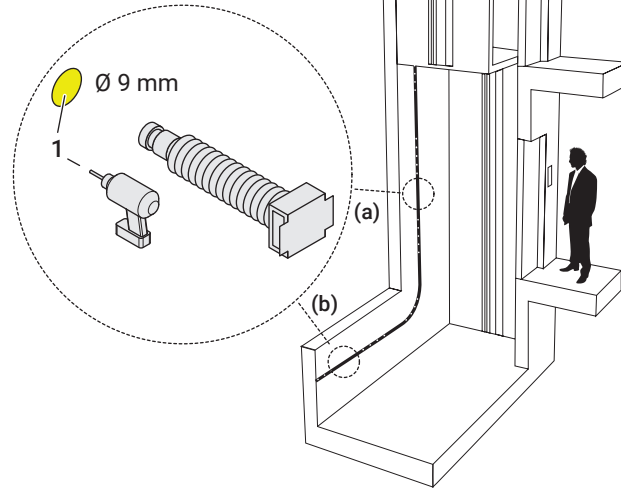
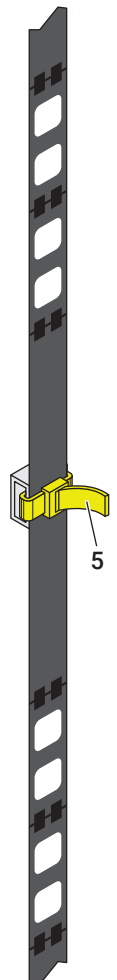


ATTENTION

Cable ties must be fixed over the areas of the strip without LEDs.



5 Tighten the cable tie to secure the LED strip to the plug.



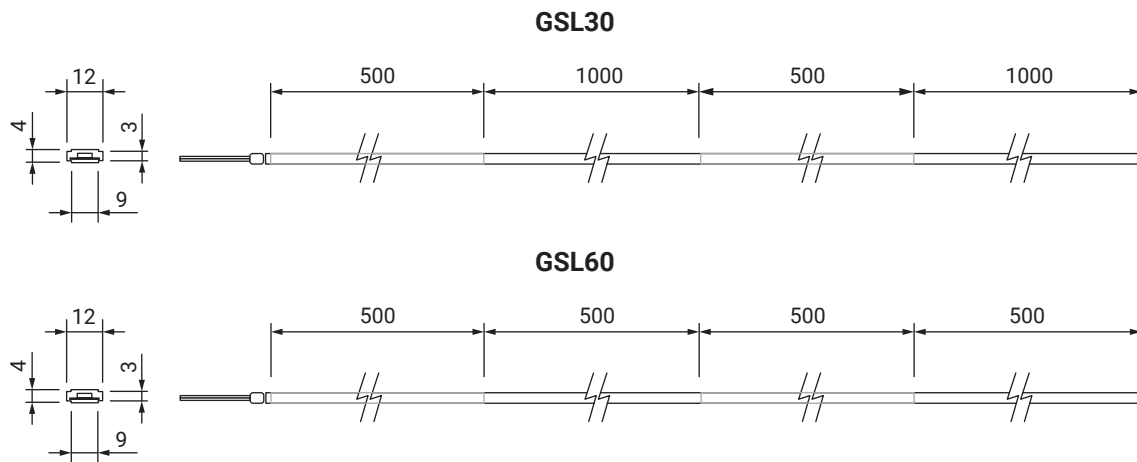
ATTENTION

The LED strip must be mounted on a non-combustible surface.

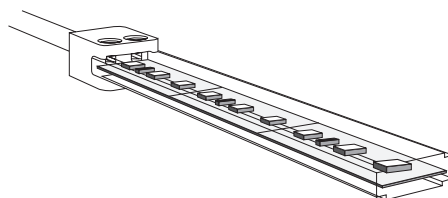
TECHNICAL CARACTERISTICS

Flexible strips GSL30 and GSL60

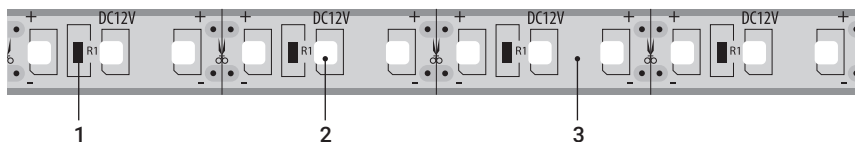
	GSL30	GSL60
Voltage	240 V ac	240 V ac
Power	3.2 W/m	6.4 W/m
Flux	300 lm/m	600 lm/m
Protection	with accessories GSLC002, GSLC003 e GSLC004 IP 65	
Operating temperature	-40 ... +70°C	-40 ... +70°C
UV rating	F1	F1
Flame retardant	V0	V0
Resistant class	UL94	UL94
Anti-glare treatment	market standard UGR <25	
Beam angle	120°	120°
Shaft area	3.5 m ²	9.2 m ²
Coil	300 m	300 m
Cutting points distance	1.5 m	1 m



- VOC free (Volatile Organic Compound).
- Silicone has excellent resistance to oil, solvents and other chemicals.
- High flexibility and mechanical resistance.
- Dimmable & flickerless with PF > 0.85.
- Different lengths available.
- As a safety measure, a maximum of 16 A circuit-breaker, category B is required.



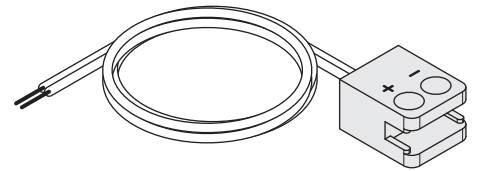
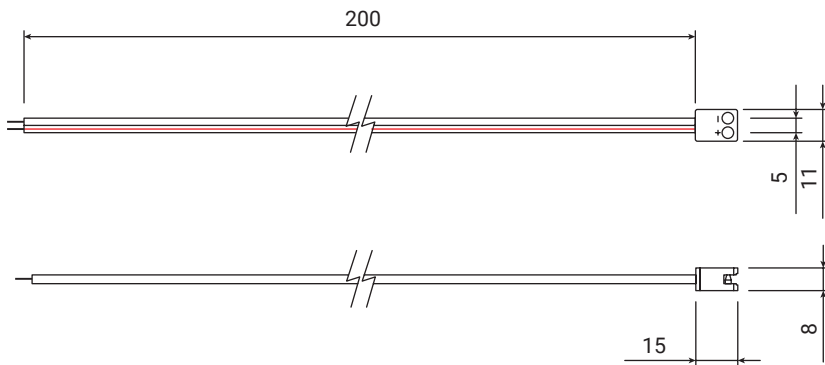
1. Resistance
2. LED
3. Flexible PCB



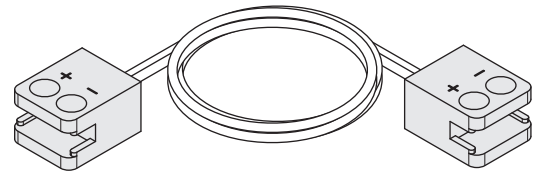
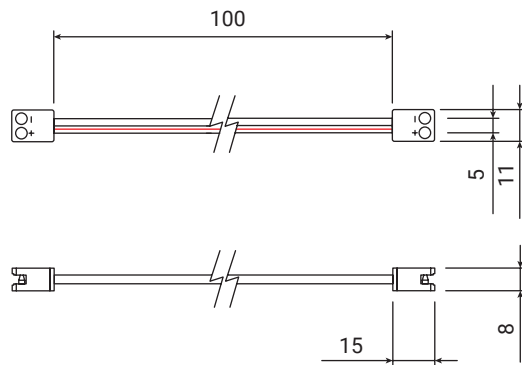
Cables GSLC001 and GSLC009

		GSLC001	GSLC009
Voltage		240 V ac	240 V ac
Current	max	6 A	6 A
Protection	with accessories GSLC002 and GSLC004	IP 65	IP 65
Operating temperature		-40 ... +70°C	-40 ... +70°C
Connectors		1	2
Standard length		200 mm	100 mm

GSLC001



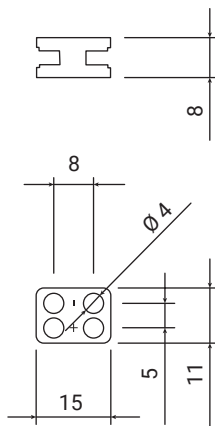
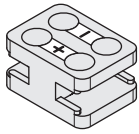
GSLC009



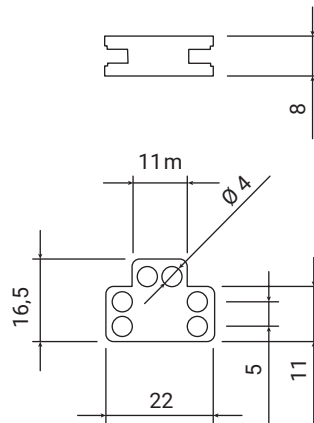
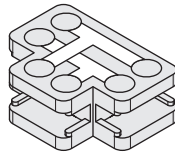
Connectors GSLC0010, GSLC0011 and GSLC0012

		GSLC0010	GSLC0011	GSLC0012
Voltage		240 V ac	240 V ac	240 V ac
Current	max	6 A	6 A	6 A
Protection	with accessories GSLC002 and GSLC004	IP 65	IP 65	IP 65
Operating temperature		-40 ... +70°C	-40 ... +70°C	-40 ... +70°C
Connectable connectors		2	3	4

GSLC0010



GSLC0011



GSLC0012

